

LOADMASTER B-150

Tough & dependable burden carrier



Photos are shown with optional features.



Taylor-Dunn's Loadmaster is durable, reliable and cost effective for your commercial and industrial material handling needs. Equipped with a 36-volt electric drive train, this vehicle carries loads up to 726 kg at speeds up to 19 km per hour with a range up to 32 km.

This narrow aisle burden carrier is 113 cm wide by 274 cm long. It has a 279 cm turning radius with an 213 cm intersecting aisle clearance.

Adding optional equipment such as ladder rack, stake sides, tool boxes, tool cabinets or work bench makes this an excellent choice for any indoor or outdoor maintenance application.

Features

- Driver seat interlock safety feature
- Fully welded unitised steel body
- Front & rear spring suspension
- Customisable to fit your application



LOADMASTER B-150 UTILITY VEHICLE

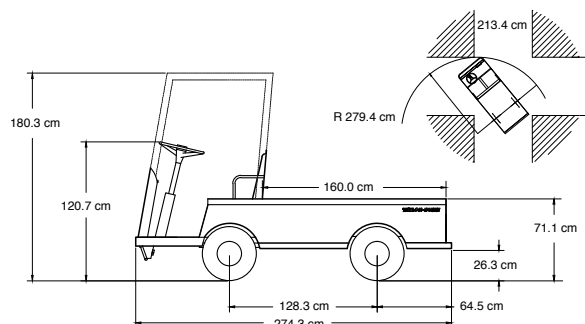
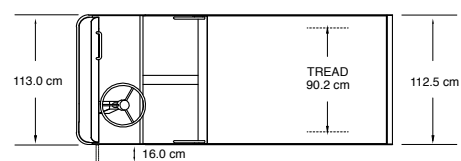
Performance

LOAD CAPACITY	726 kg
TOW CAPACITY	3409 kg*
MAX SPEED (UNLOADED)	19 km / h
TURNING RADIUS	279 cm

*Based on Standard Configuration Actual towing capacity is dependent on application, vehicle configuration, ballast weight, operating environment, and vehicle maintenance.

Dimensions

OVERALL LENGTH	274 cm
OVERALL WIDTH	113 cm
HEIGHT (with cab)	121 cm (180cm)
DECK HEIGHT	71 cm
WHEEL BASE	128 cm
DECK SIZE	112 x 160 cm



Power supply / Drive train

MOTOR	36V, DC, Series Wound, 6 Hp
SYSTEM VOLTAGE	36V DC
DRIVE AXLE	Direct Drive, Oil Bath, 14.78:1 Ratio, Transaxle Assembly, Sealed Helical Gear Reduction
BATTERIES	210 Amp-hour Lead Acid, 6 Volt, 6 Each
CHARGER	1 kW, Built-in, 36V, 110 VAC, 60Hz, w/ Interlock
CONTROLLER	275 Amp, Solid State Speed Controller
WIRING	Modular Harness Design, Weather Protected Connectors

Chassis

FRAME	Fully Welded Unitised 16 Gauge Diamond Plate Steel
STEERING	24:1 Ratio, Automotive
SUSPENSION	Leaf Springs, Front and Rear
BRAKES	Rear Mechanical Drum w/ Hand Operated Parking Brake
BUMPERS	Heavy Duty Steel Integrated Front
TYRES	5.70 x 8 Load Range C Pneumatic

General

UNIT WEIGHT	550 kg
SEATS	Split Seat Bottom Cushion w/ Full Length Back Rest in Black Vinyl, 2 Person Capacity
INSTRUMENTATION	Battery Status Indicator, Forward/Reverse Selector, Key Switch, Electric Horn
LIGHT ACCESSORIES	Brake lights
CONFORMANCE	Type E OSHA 1910.178, ANSI B56.8

Options

- Hydraulic drum brakes
- Smooth skin body
- Windshield wiper
- Fibreglass cab
- Vinyl doors
- Fibreglass top
- Directional signals
- Portable charger
- Dual headlights
- Strobe light
- Ladder rack
- Stake sides
- Battery watering system
- Hour meter
- Reverse alarm
- Various hitches
- Undercoating / galvanising
- Optional coating colours

 **Toyota Material Handling Australia** 8 Secombe Place, Moorebank NSW 2170

 **1800 425 438**

 www.toyotamaterialhandling.com.au

